



Applicable models: 0-12" (0-300mm):

340-251-30, 340-252-30, 340-351-30, 340-352-30

Technical Data

Accuracy: $\pm[.00016'' + .00004 (L/3)'] L = \text{Max Range (Inch)}$

Measurement example



Optional Accessories

Order No.	Type	Description
264-020	—	USB Input Tool Series USB Keyboard Signal Conversion Type IT-020U
05CZA662	B	Connection cable (1 m) for 0 - 12 in models
05CZA663	B	Connection cable (2 m) for 12 - 36 in models
04AZB512	CR	Connection cable - L-Type (1 m) for 12 - 36 in models
04AZB513	CR	Connection cable - L-Type (2 m) for 12 - 36 in models
959149	C	Connection cable (1 m) for 12 - 36 in models
959150	C	Connection cable (2 m) for 12 - 36 in models
06AFM380B	B	USB Input Tool Direct (2 m) for 0 - 12 in models
06AFM380C	C	USB Input Tool Direct (2 m) for 12 - 36 in models
02AZD730G	IP67	U-WAVE-T
02AZD880G	Buzzer	U-WAVE-T
02AZD790B	B	Connection cable for U-WAVE-T (160 mm)
02AZE140B	B	Connection cable for U-WAVE-T For foot switch
02AZD790C	C	Connection cable for U-WAVE-T (160 mm)
02AZE140C	C	Connection cable for U-WAVE-T For foot switch
264-622	IP67	U-WAVE-TM*
264-623	Buzzer	U-WAVE-TM*
264-626	IP67	U-WAVE-TMB*
264-627	Buzzer	U-WAVE-TMB*
02AZF310	IP67	Connecting unit for U-WAVE-TM/TMB*

* Only 340-251-30, 340-252-30, 340-351-30 and 340-352-30 can be attached.

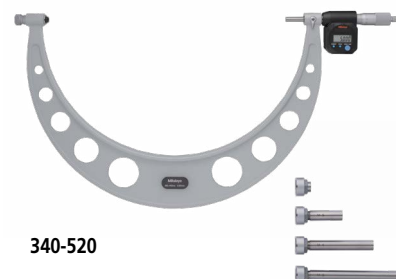
Micrometers

Outside Micrometers SERIES 340 — with Interchangeable Anvils

- Wide measuring range with interchangeable anvils.
- Measuring face of the spindle is carbide tipped (standard model).
- IP65 water/dust protection.
- Equipped with Ratchet Stop for constant measuring force.
- With SPC data output.



340-351-30



340-520

SPECIFICATIONS

Inch / Metric

Order No.	Range (in)	Resolution	Flatness (in)	Parallelism (in)	Interchangeable anvils	Setting Standard		Micrometer head stroke (in)
						Qty	Size (in)	
340-351-30*	0 - 6	0.00005 in/ 0.001 mm	0.000024	0.00012	6 pcs.	5	1 - 5	1
340-352-30*	6 - 12	0.0001 in/ 0.001 mm	0.00004	0.0002		6	6 - 11	
340-720	12 - 18			0.00028	12 - 17			
340-721	18 - 24			0.00036	18 - 23			
340-722	24 - 30			0.0004	24 - 29			
340-723	30 - 36			0.00044	30 - 35			

Metric

Order No.	Range (mm)	Resolution (mm)	Flatness (μm)	Parallelism (μm)	Interchangeable anvils	Setting Standard		Micrometer head stroke (mm)
						Qty	Size (mm)	
340-251-30*	0 - 75	0.001	0.6	2	6 pcs.	5	25 - 125	25
	75 - 150			3		150 - 275		
340-252-30*	150 - 300			5		300 - 375		
340-520	300 - 400	0.001	1.0	6	4 pcs.	4	400 - 475	
340-521	400 - 500			7		500 - 575		
340-522	500 - 600			8		600 - 675		
340-523	600 - 700			9		700 - 775		
340-524	700 - 800			10		800 - 875		
340-525	800 - 900			11		900 - 975		
340-526	900 - 1000			12				

* IP65 model.

- Power source for models up to 12 in.: SR44 battery (1 pc.), **938882** included as standard
- Power source for models over 12 in.: SR44 battery (2 pcs.), **938882** included as standard

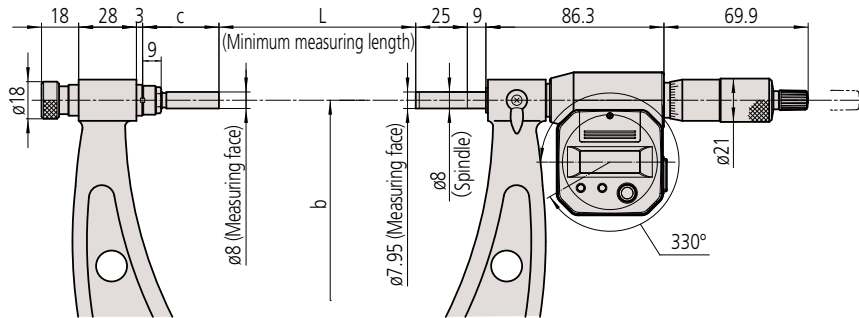
Micrometers

Outside Micrometers SERIES 340 — with Interchangeable Anvils

DIMENSIONS

Over 400 mm up to 1000 mm

Unit: mm



	L: Range (mm)					b
Range	300 - 400 mm models	300 - 325	325 - 350	350 - 375	375 - 400	224
Range	400 - 500 mm models	400 - 425	425 - 450	450 - 475	475 - 500	273
Range	500 - 600 mm models	500 - 525	525 - 550	550 - 575	575 - 600	332
Range	600 - 700 mm models	600 - 625	625 - 650	650 - 675	675 - 700	382
Range	700 - 800 mm models	700 - 725	725 - 750	750 - 775	775 - 800	430
Range	800 - 900 mm models	800 - 825	825 - 850	850 - 875	875 - 900	480
Range	900 - 1000 mm models	900 - 925	925 - 950	950 - 975	975 - 1000	530
	c: Overall (mm)	87	62	37	12	



Need Support?